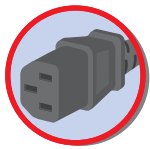


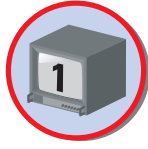
## Legend



POWER CORD



POWER SWITCH



MONITOR 1



MONITOR 32



CAMERA 17



CAMERA 1



CAMERA 256



DATA



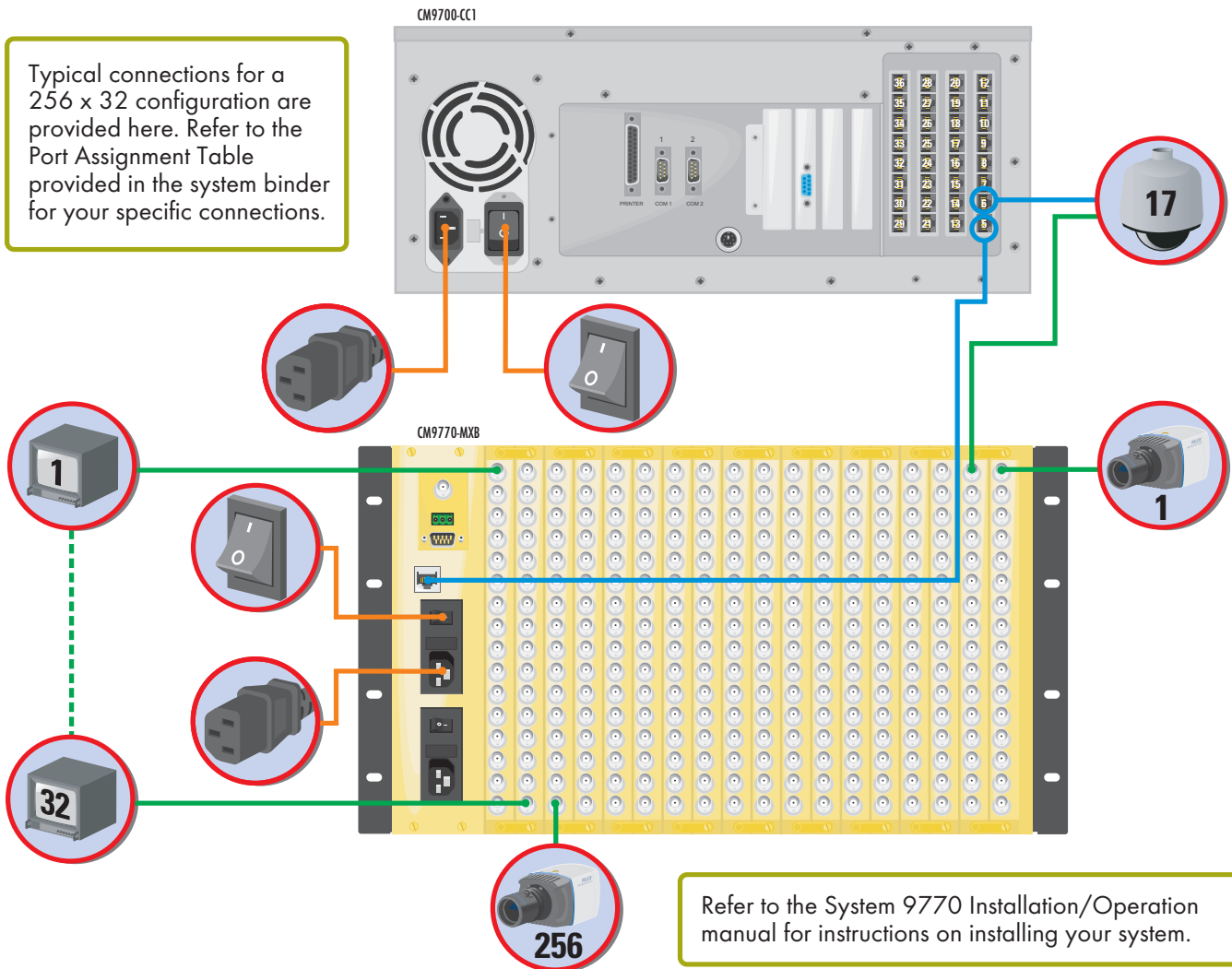
VIDEO



POWER

## Basic CM9770-MXB Installation

Typical connections for a 256 x 32 configuration are provided here. Refer to the Port Assignment Table provided in the system binder for your specific connections.



Refer to the System 9770 Installation/Operation manual for instructions on installing your system.